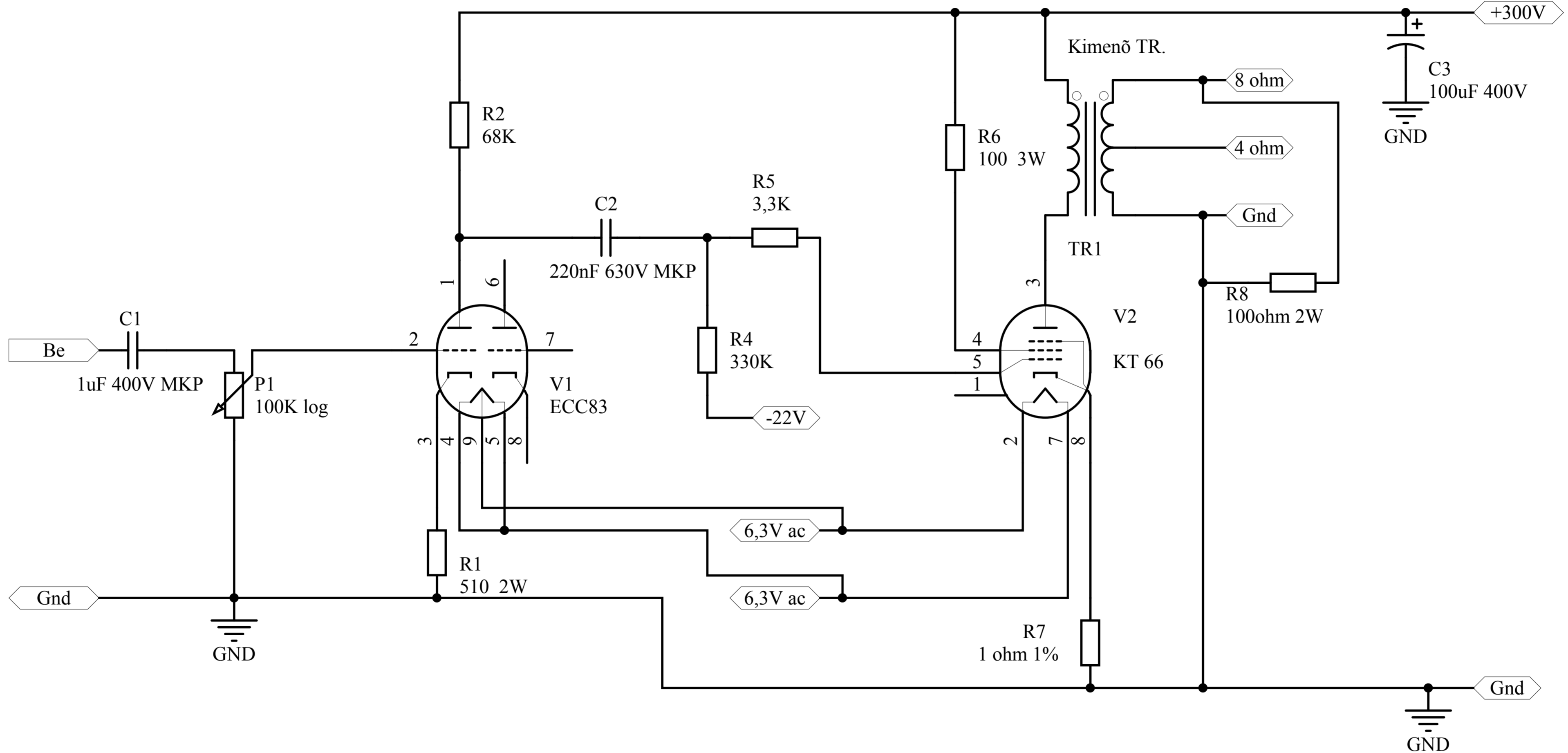
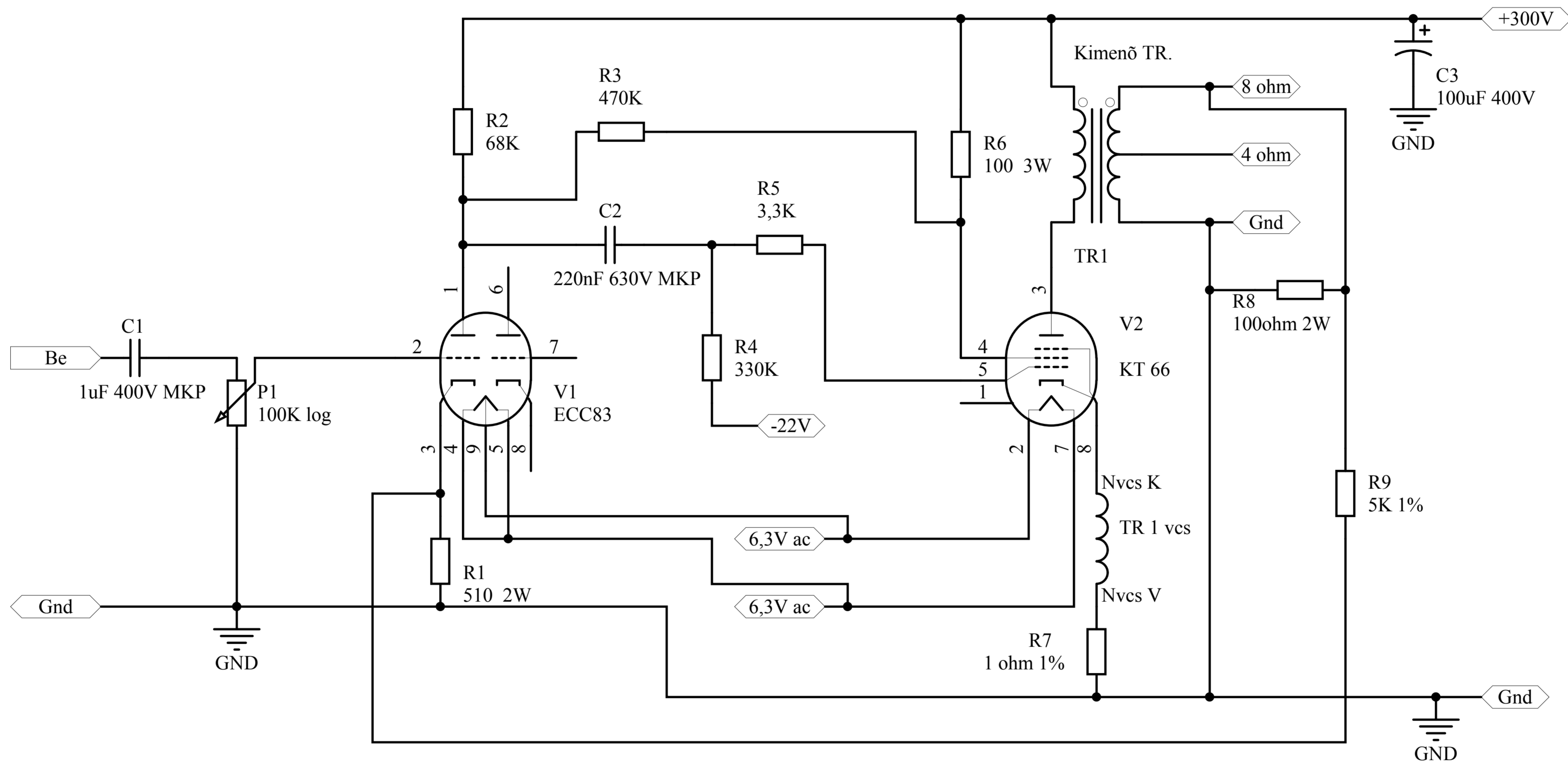


KT66/CV1075 5W Single Ended Amplifier



Title		
Size	Number	Revision
A4		
Date:	4/26/2010	Sheet of
File:	C:\Users\Luki\KT66SEFULL.SCHDOC	Drawn By:

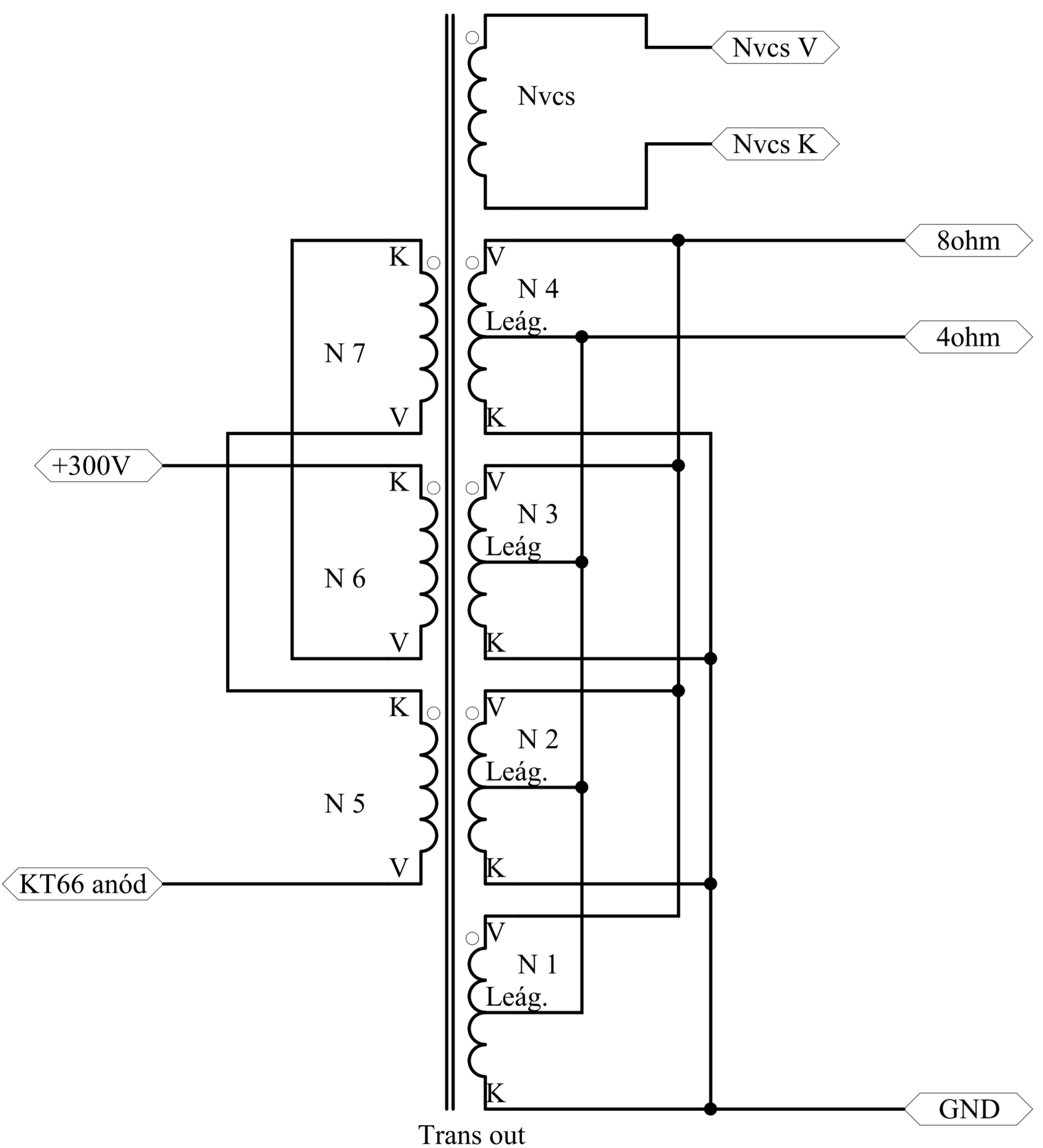
KT66/CV1075 5W Single Ended Amplifier



Title		
Size	Number	Revision
A4		
Date:	4/9/2010	Sheet of
File:	C:\Users\Luki\KT66SE.SCHDOC	Drawn By:

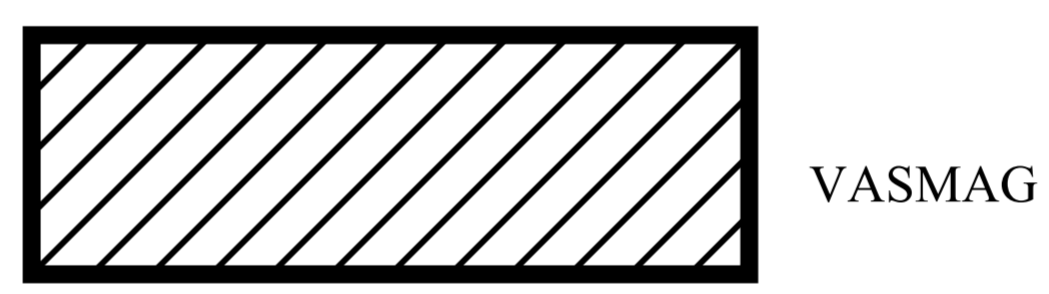
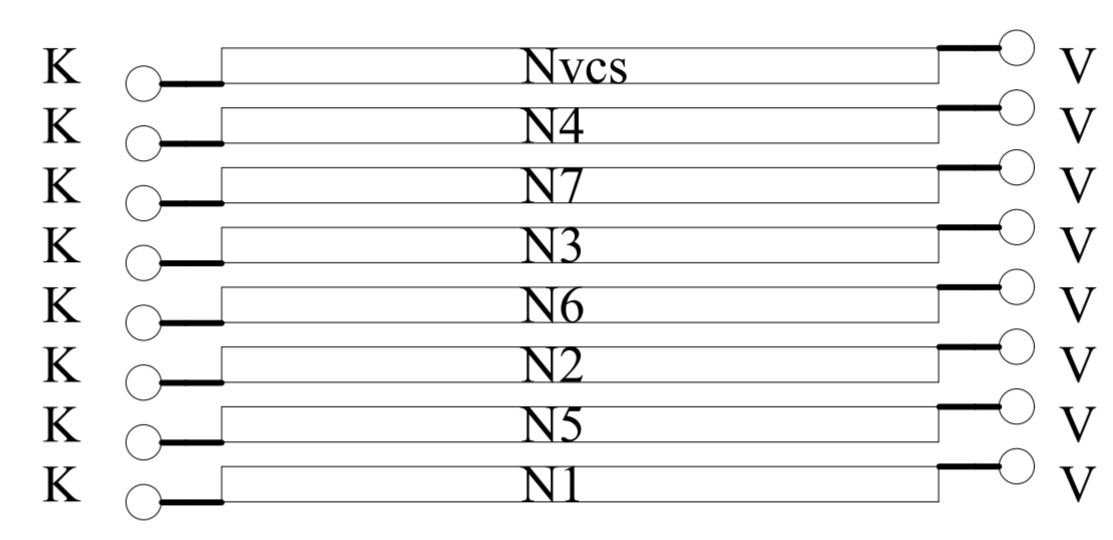
KT66SE Kimenőtranszformátor.

Elvi rajz



Kimenőtranszformátor MAG:SM74
 Légrés: 0,15-0,2mm

Tekercs elrendezés



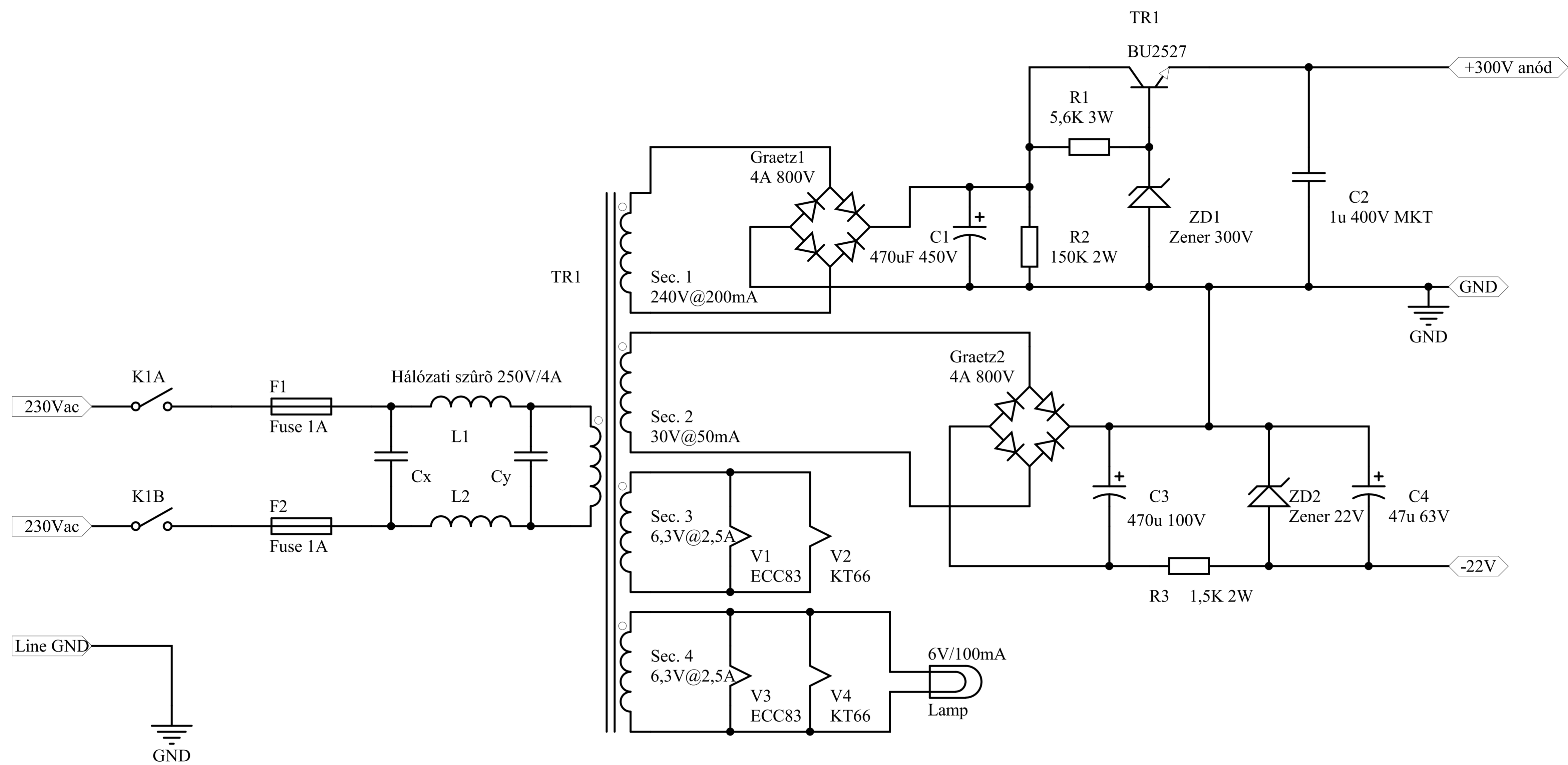
Primer: N5 3x950menet, 0,22CuZ
 N6
 N7

Szekunder: N1 4x150menet, 0,4CuZ
 N2
 N3
 N4

Negatív visszacsatolás(Nvcs): 90 menet, 0.25 CuZ

Title		
Size	Number	Revision
A		
Date:	3/18/2010	Sheet of
File:	C:\Users\Luki\KT66 OUT TRANS.SchDo	Drawn By:

KT66 Power supply



Hálózati TR. 150VA min.

Title		
Size	Number	Revision
A		
Date:	3/18/2010	Sheet of
File:	C:\Users\Luki\KT66PSU.SchDoc	Drawn By: