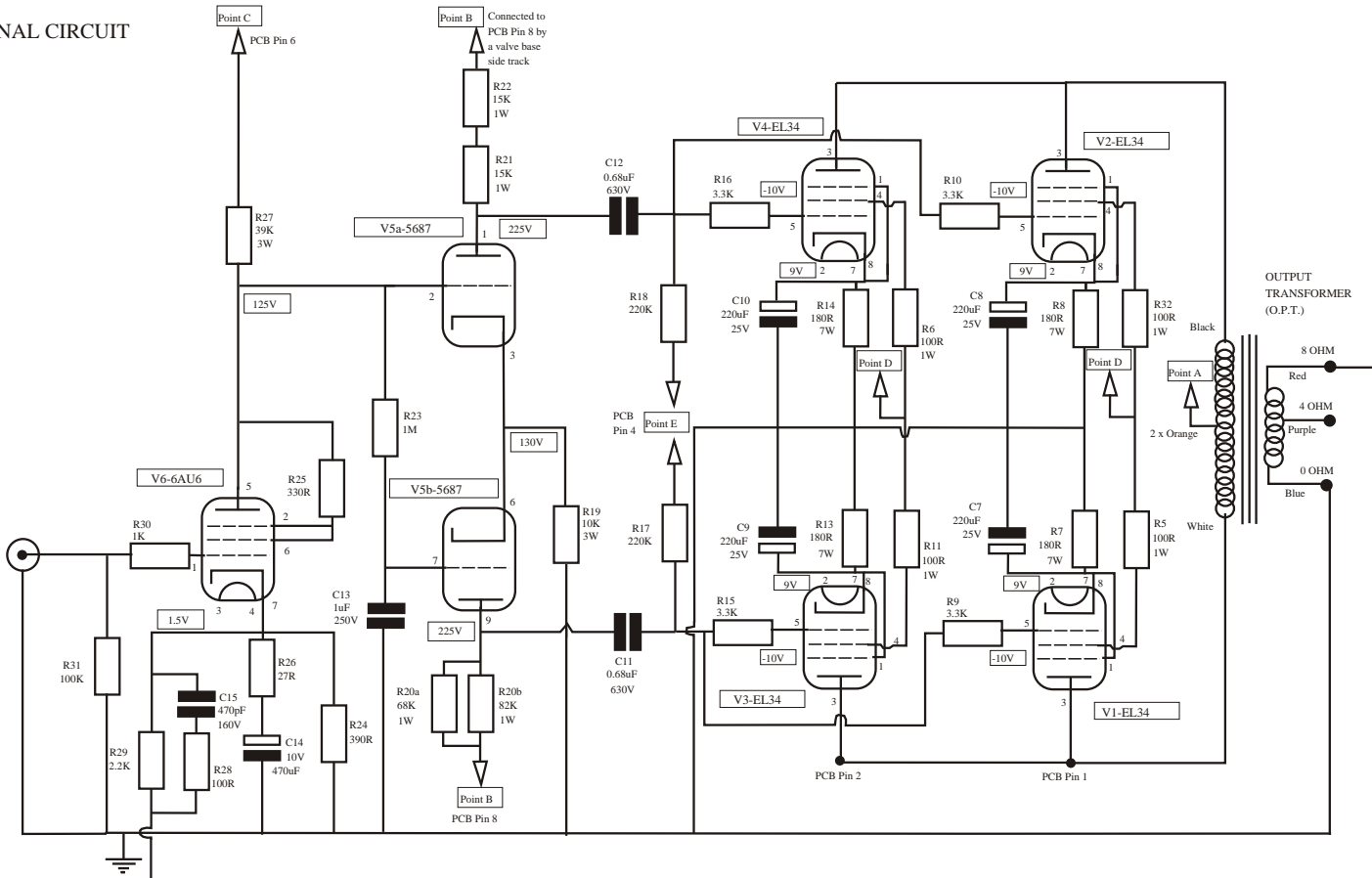
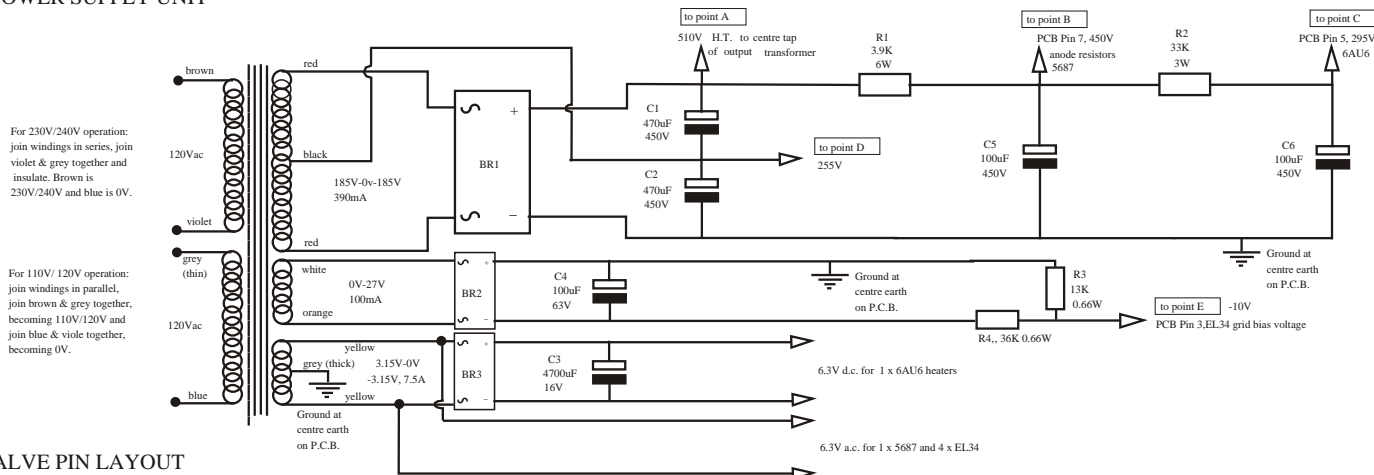


# KEL 80 MONOBLOCK CIRCUIT DIAGRAM

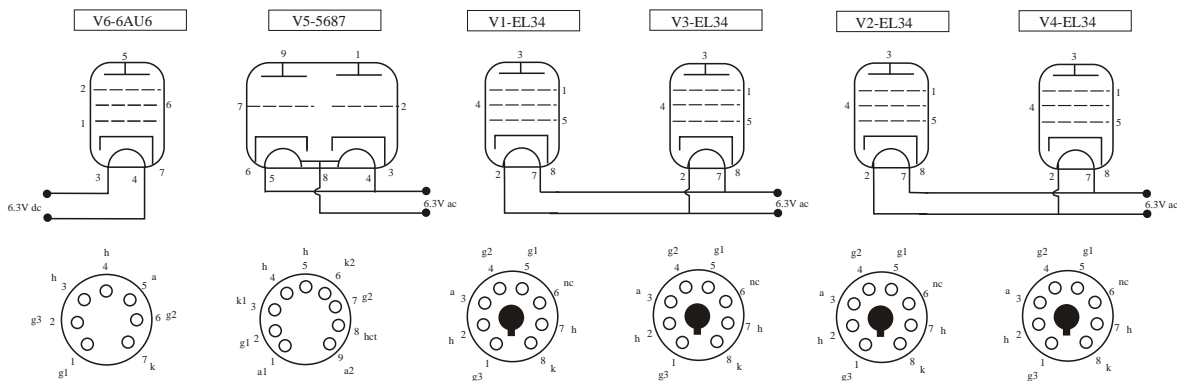
## SIGNAL CIRCUIT



## POWER SUPPLY UNIT



## VALVE PIN LAYOUT



Views are from underneath valve or valve holder  
h = heater hct = heater centre tap k = cathode a = anode nc = no connection