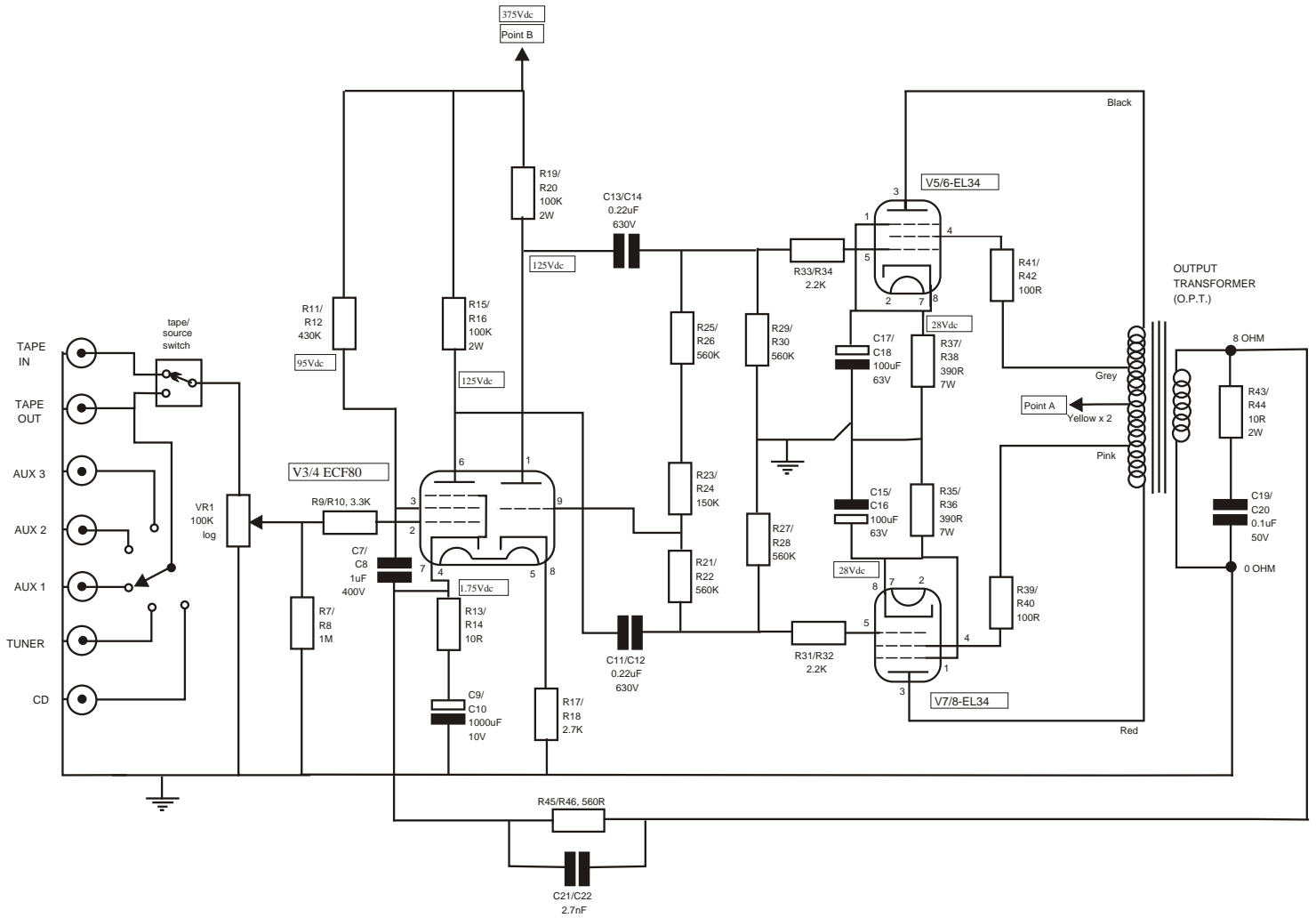


KIT34

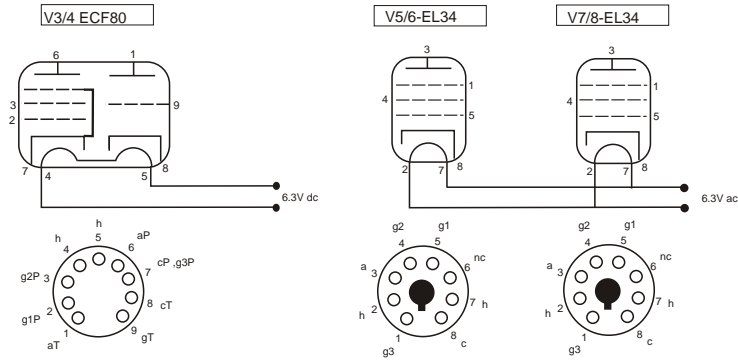
Integrated Valve Amplifier

Circuit Diagram

signal circuit (one channel)



Valve pin layout



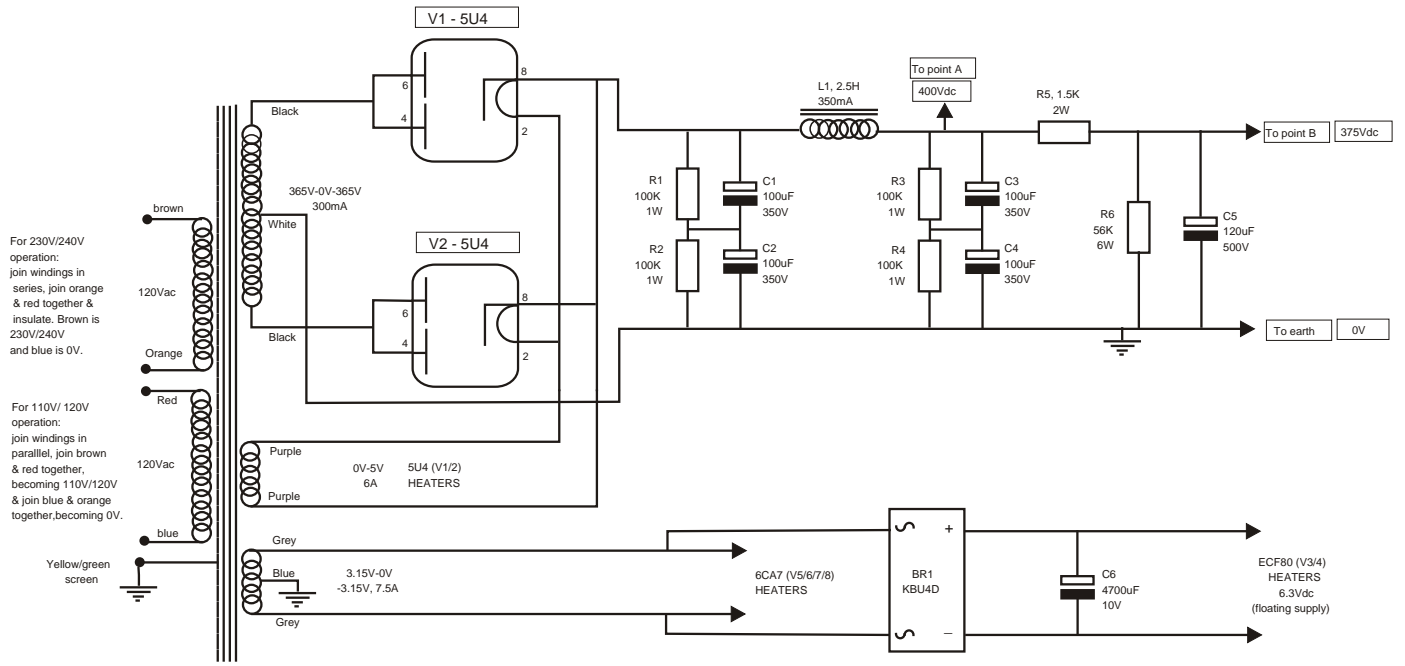
Views are from underneath valve or valve holder
 h = heater hct = heater centre tap c = cathode a = anode g1 = grid 1 g2 = grid 2 g3 = grid 3 nc = no connection (T=triode P=pentode for V1)

KIT34

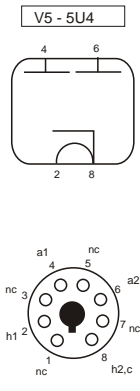
Integrated Valve Amplifier

Circuit Diagram

power supply circuit (both channels)



Valve pin layout



Views are from underneath valve or valve holder
h1, h2 = heater a1, a2 = anode c = cathode nc = no connection