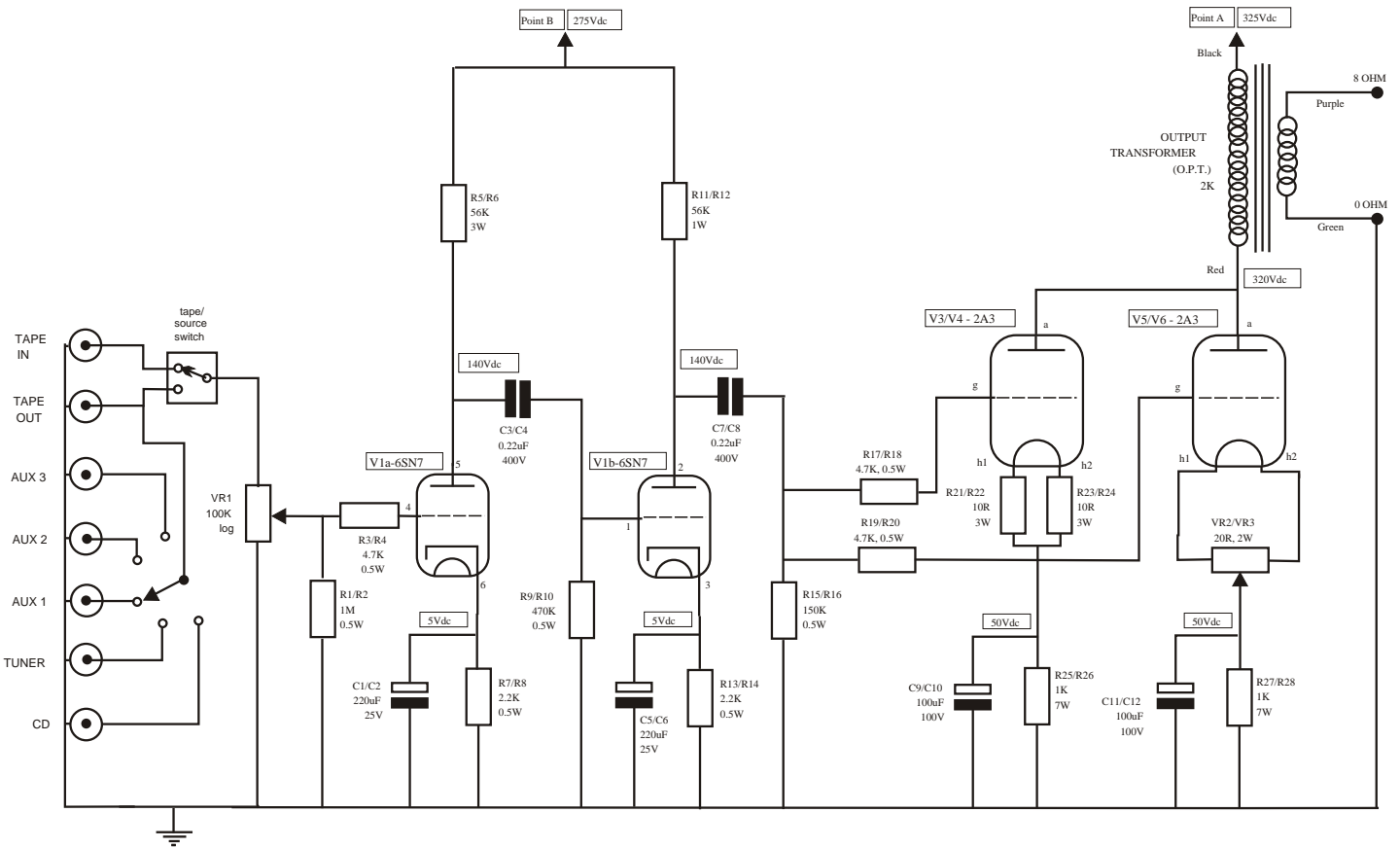
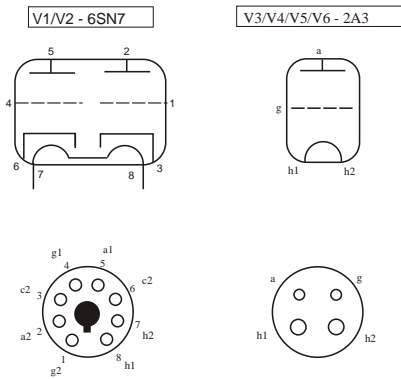


# 2A3 PSE INTEGRATED AMPLIFIER CIRCUIT DIAGRAM

## SIGNAL CIRCUIT (ONE CHANNEL)



### VALVE PIN LAYOUT



Views are from underneath valve or valve holder  
 h1, h2 = heater hct = heater centre tap c = cathode a = anode g = grid nc = no connection

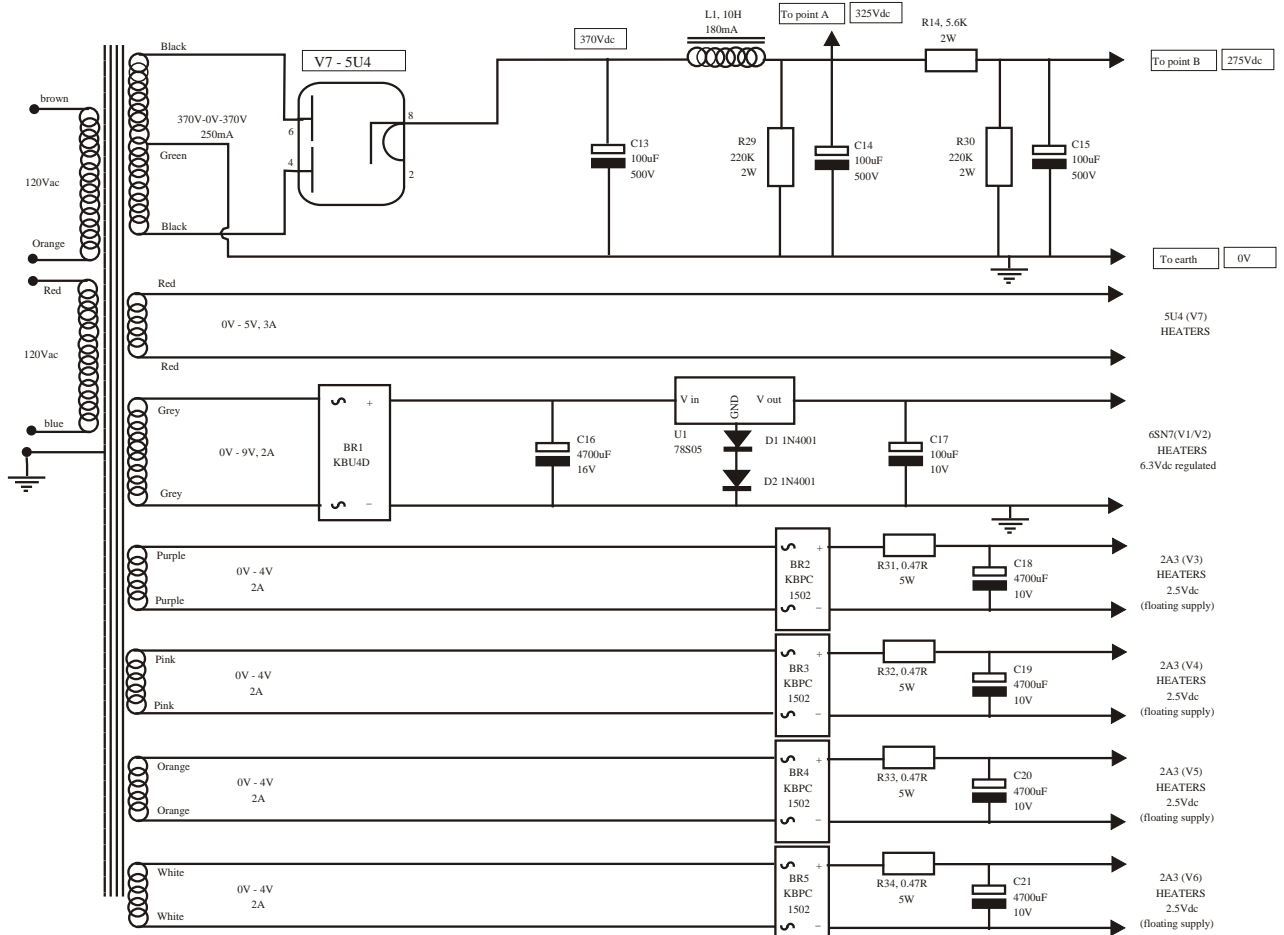
# 2A3 PSE INTEGRATED AMPLIFIER CIRCUIT DIAGRAM

## POWER SUPPLY CIRCUIT (BOTH CHANNELS)

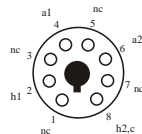
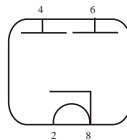
For 230V/240V operation:  
join windings in series, join orange & red together & insulate. Brown is 230V/240V and blue is 0V.

For 110V/ 120V operation:  
join windings in parallel, join brown & red together, becoming 110V/120V & join blue & orange together, becoming 0V.

Yellow/green screen



V7 - 5U4



Views are from underneath valve or valve holder  
h1, h2 = heater a = anode c = cathode nc = no connection